

# ASSEMBLY INSTRUCTIONS

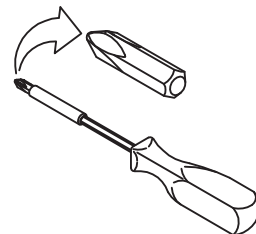
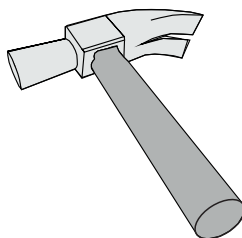
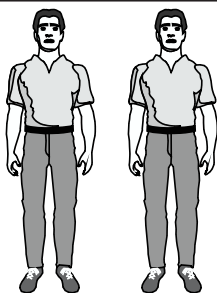
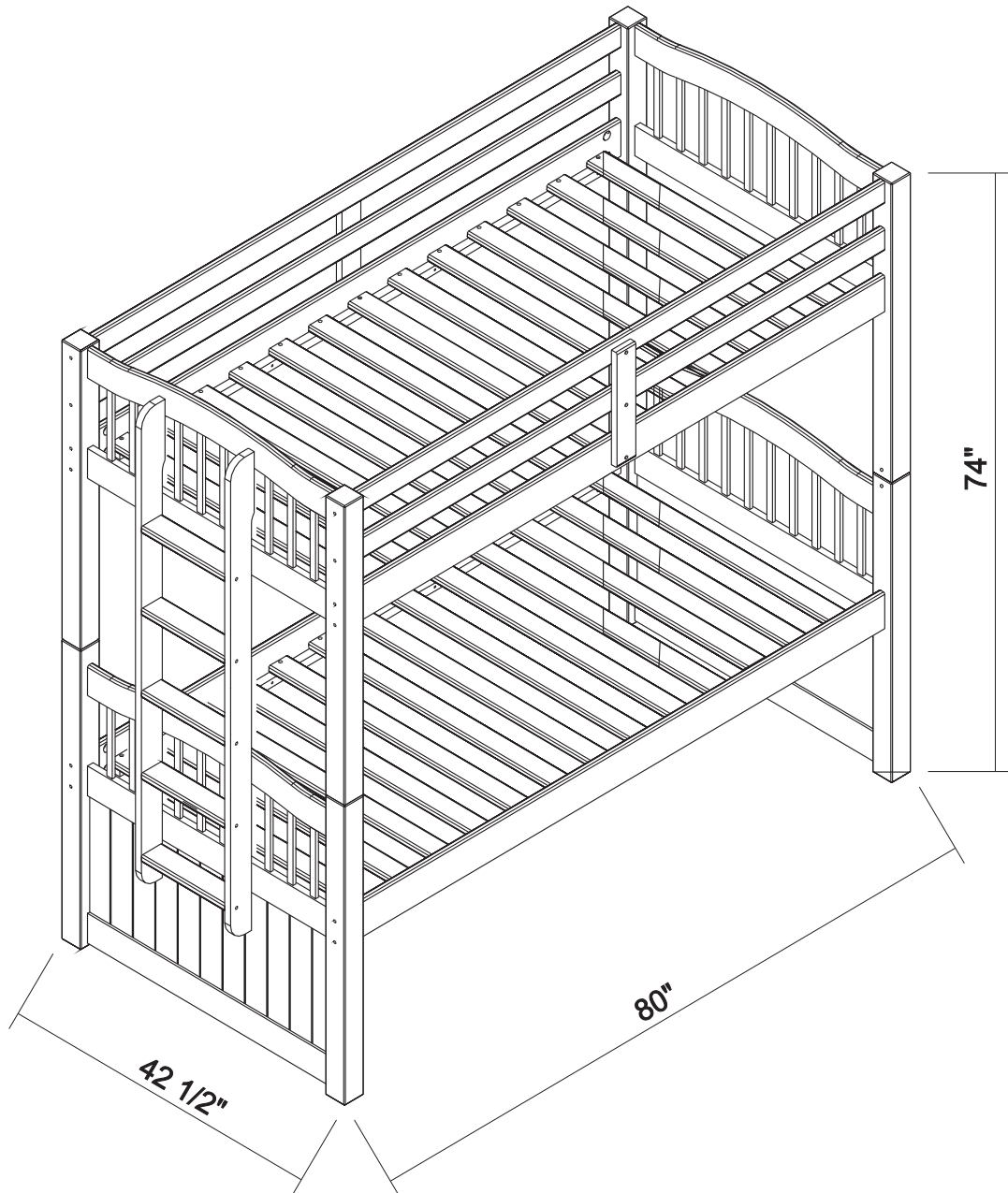
## TRIPLET TWIN / TWIN BUN BED

Ref. 4011 - Whitewash

Ref. 4012 - Mahogany

Ref. 4014 - Honey Pine

Ref. 4016 - Java

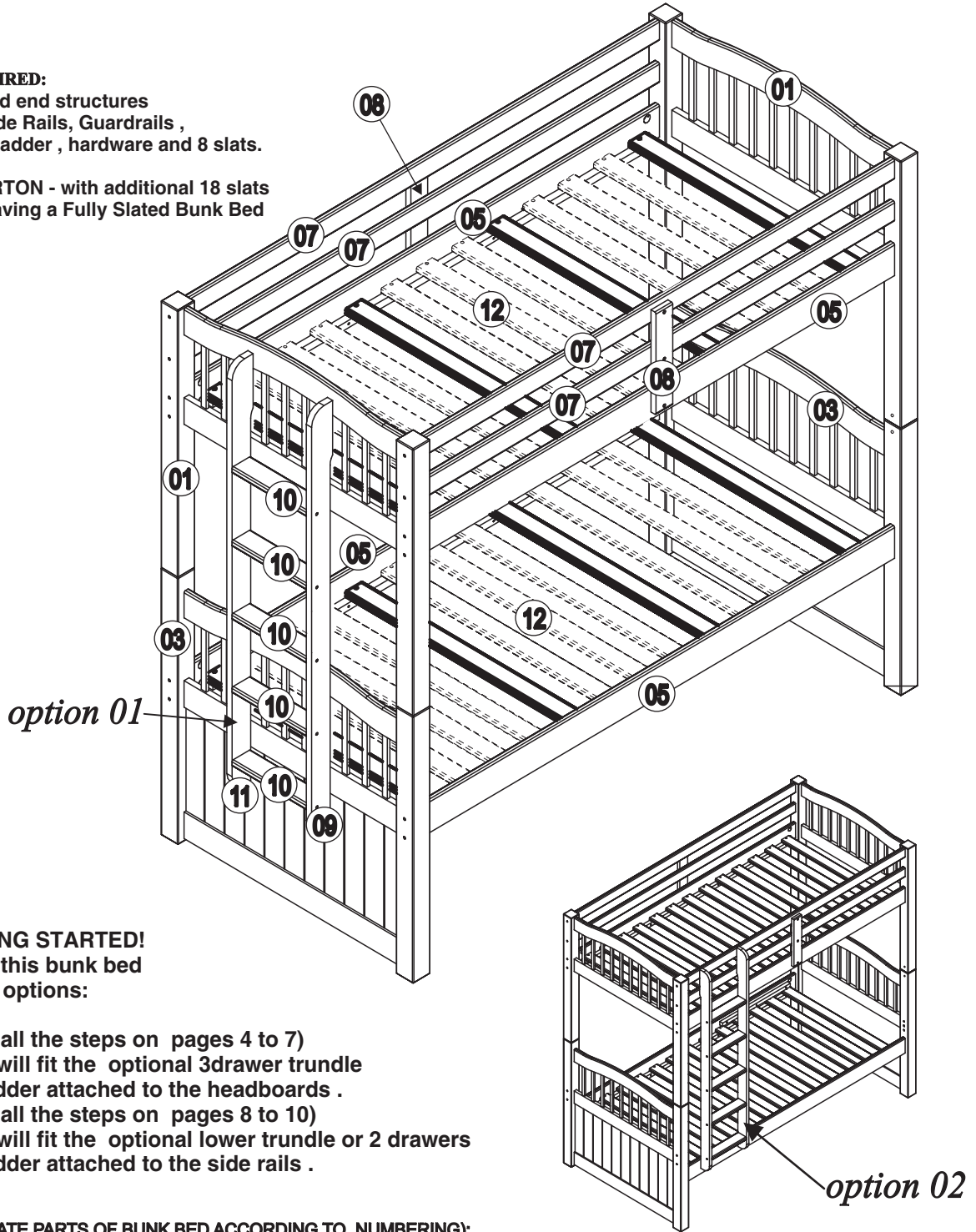


**IMPORTANT:**

- Take your time, read all instructions first then follow each step as numbered and described
- Power tools are not recommended for assembling your furniture
- Give yourself plenty of room to work
- Due to the size of this bed, it must be assembled within the space it will occupy
- The assembly will require at least two people to complete
- Make sure all fasteners are tight

**CARTONS REQUIRED:**

- CARTON 1/2 bed end structures
- CARTON 2/2 Side Rails, Guardrails , guardrail bears, ladder , hardware and 8 slats.
- OPTIONAL CARTON - with additional 18 slats is required for having a Fully Slated Bunk Bed



**BEFORE GETTING STARTED!**  
Please observe this bunk bed has 2 assembly options:

Option 1 (follow all the steps on pages 4 to 7)

This bunk bed will fit the optional 3drawer trundle and have the ladder attached to the headboards .

Option 2 (follow all the steps on pages 8 to 10)

This bunk bed will fit the optional lower trundle or 2 drawers and have the ladder attached to the side rails .

**PARTS LIST (SEPARATE PARTS OF BUNK BED ACCORDING TO NUMBERING):**

NR.		QUANTITY	BOX
(1,3)	Bed end structures (headboards)	2/2	1 of 2
(5)	Side rails	4	2 of 2
(7)	Guard rails	4	2 of 2
(8)	Guardrails bears	2	2 of 2
(9,10,11)	Ladder	1/5/1	2 of 2
(12)	Slats	8	2 of 2
	Hardware (dowels, screws, bolts, etc)	1	2 of 2

# **READ THESE INSTRUCTIONS CAREFULLY BEFORE ATTEMPTING TO ASSEMBLE THIS BED**

## **Safety Warnings and General Notes:**


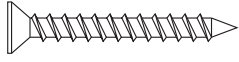
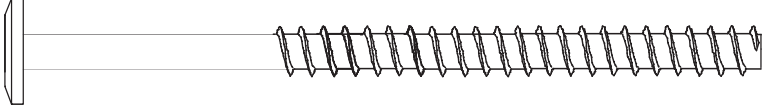

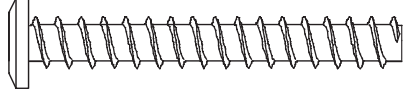
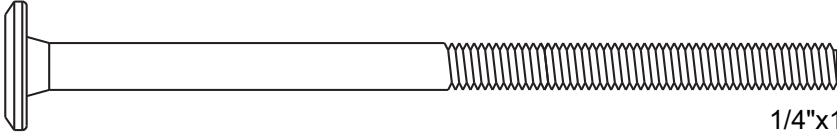



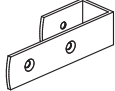
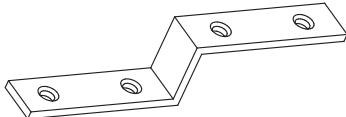


- Follow the information on the warnings appearing on the upper bunk end structure and on the carton. Do not remove warning label from bed.
- Always use the recommended size mattress or mattress support, or both, to help prevent the likelihood of entrapment or falls. (See Mattress specifications bellow)
- The top Surface of mattress must be at least 5 in. (127 mm) below the upper edge of guardrails.
- Do not allow children under 6 years of age to use the upper bunk.
- Periodically check and ensure that the guardrail,ladder, and other components are in their proper position, free from damage, and that all connectors are tight.
- Do not allow horseplay on or under the bed and prohibit jumping on the bed.
- Always use the ladder for entering and leaving the upper bunk.
- Do not use substitute parts. Contact the manufacturer or dealer for replacement parts.
- Use of a night light may provide added safety precaution for a child using the upper bunk.
- Always use guardrails on both long sides of the upper bunk. If the bunk bed will be placed next to the wall, the guardrail that runs the full length of the bed should be placed against the wall to prevent entrapment between the bed and wall.
- The use of water or sleep flotation mattresses is prohibited.
- STRANGULATION HAZARD – Never attach or hang items to any part of the bunk bed that are not designed for use with the bed; for example, but not limited to, hooks, belts and jump ropes.
- Keep these instructions for future reference.

**Replacement parts, including additional guardrails,  
may be obtained from any of our dealers.**

### **Upper Bed Mattress Specifications:**

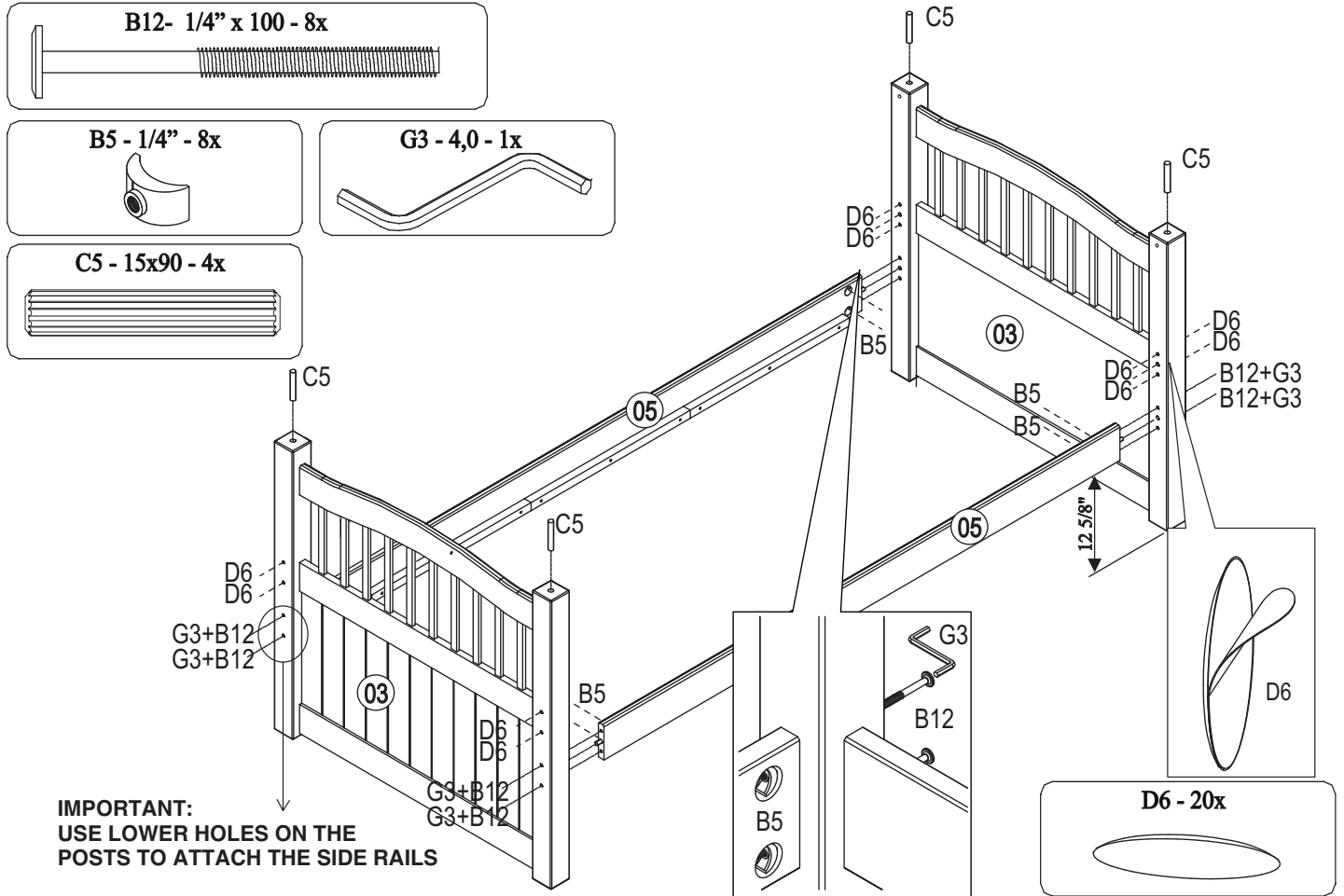
Use only a mattress with the dimensions 74-75" L x 37.5-39" W x 8.5 "H on the upper bunk. A mattress with the same thickness is also recommended for the lower bunk.

HARDWARE IS SHOWN IN ACTUAL SIZE

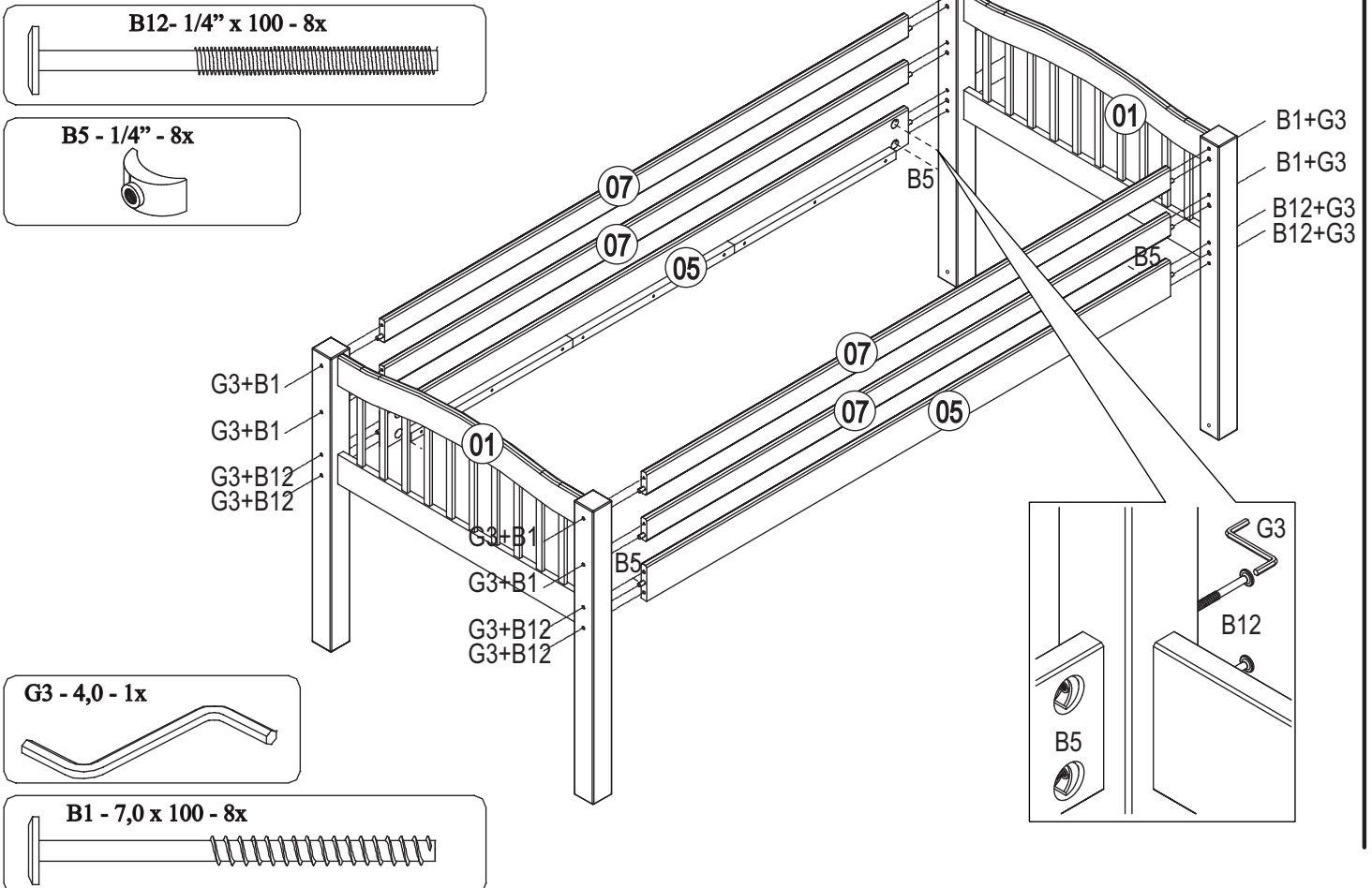
A5		3,5x16	06
A10		3,5x30	74
B1		7,0x100	08
B5		1/4"	16
B8		7,0x50	10
B12		1/4"x100	16
C3		10x40	26
C5		15x90	04
D6		STICKER	20
D14			02
D19			02
G3			01
G4			02



## 02) OPTION 02 - use this option if you have the optional low trundle or set of 2 drawers

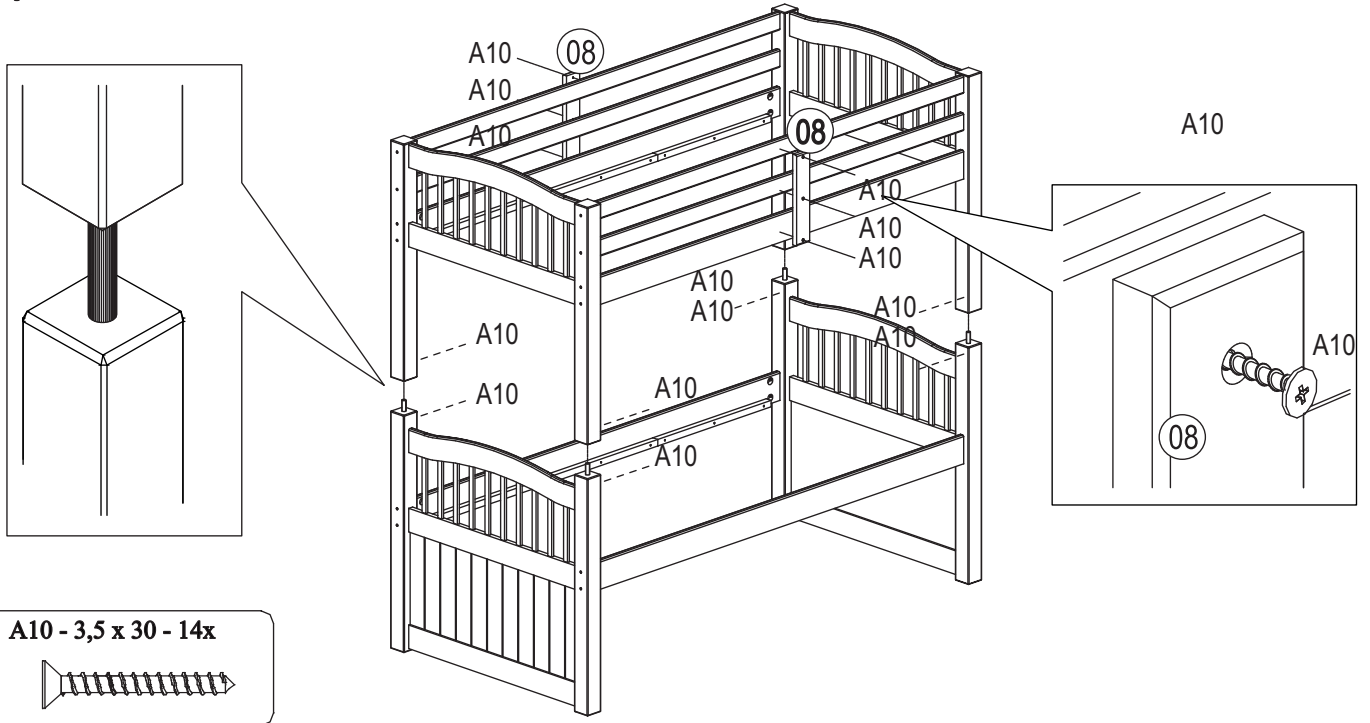


## 03)

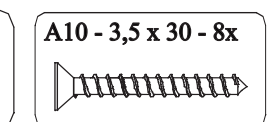
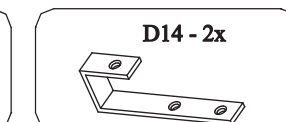
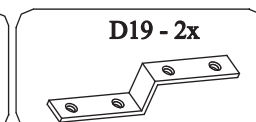
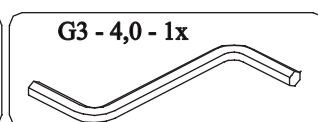
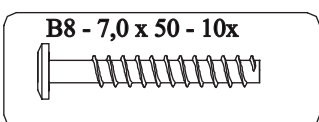
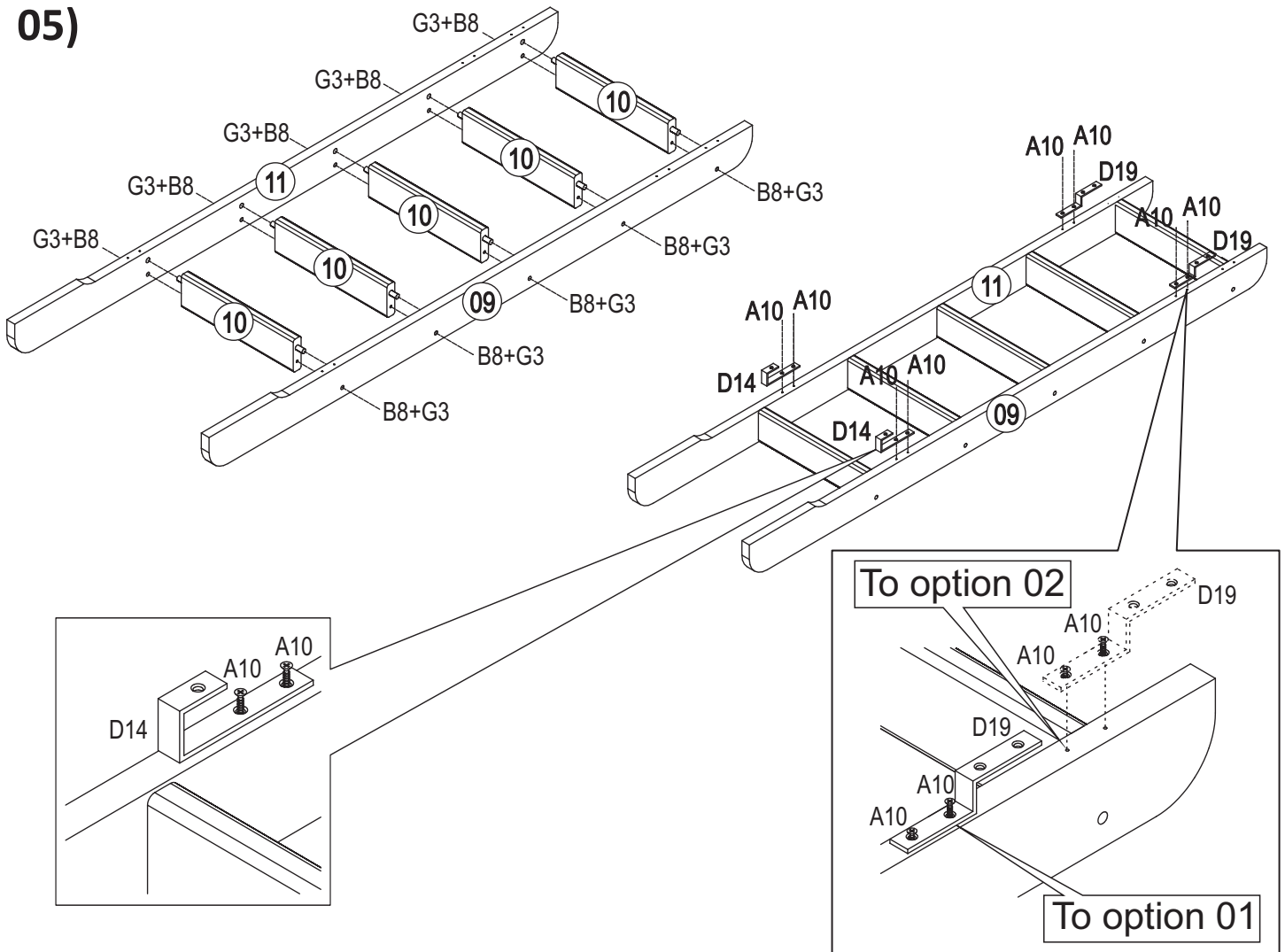




04)

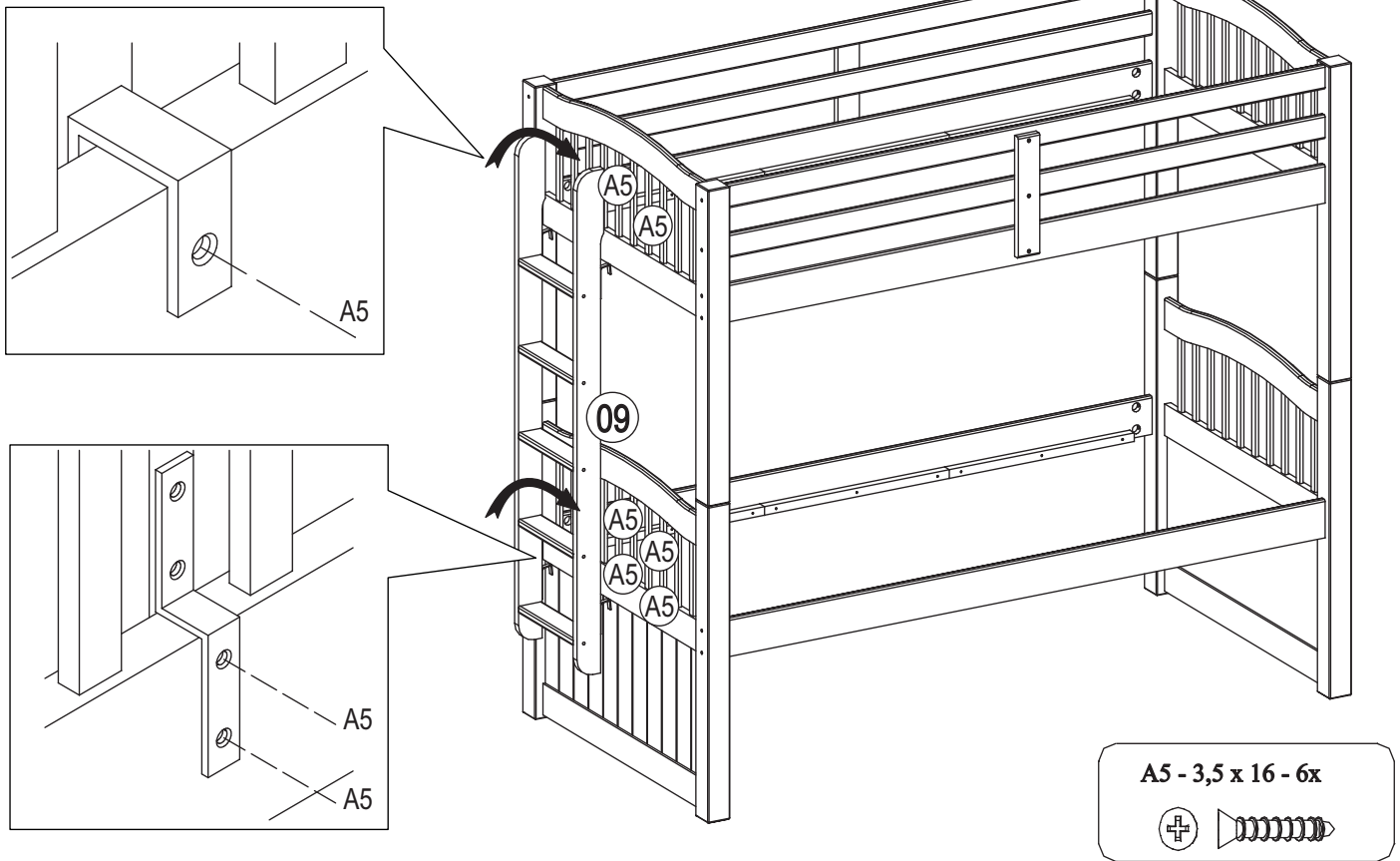


05)

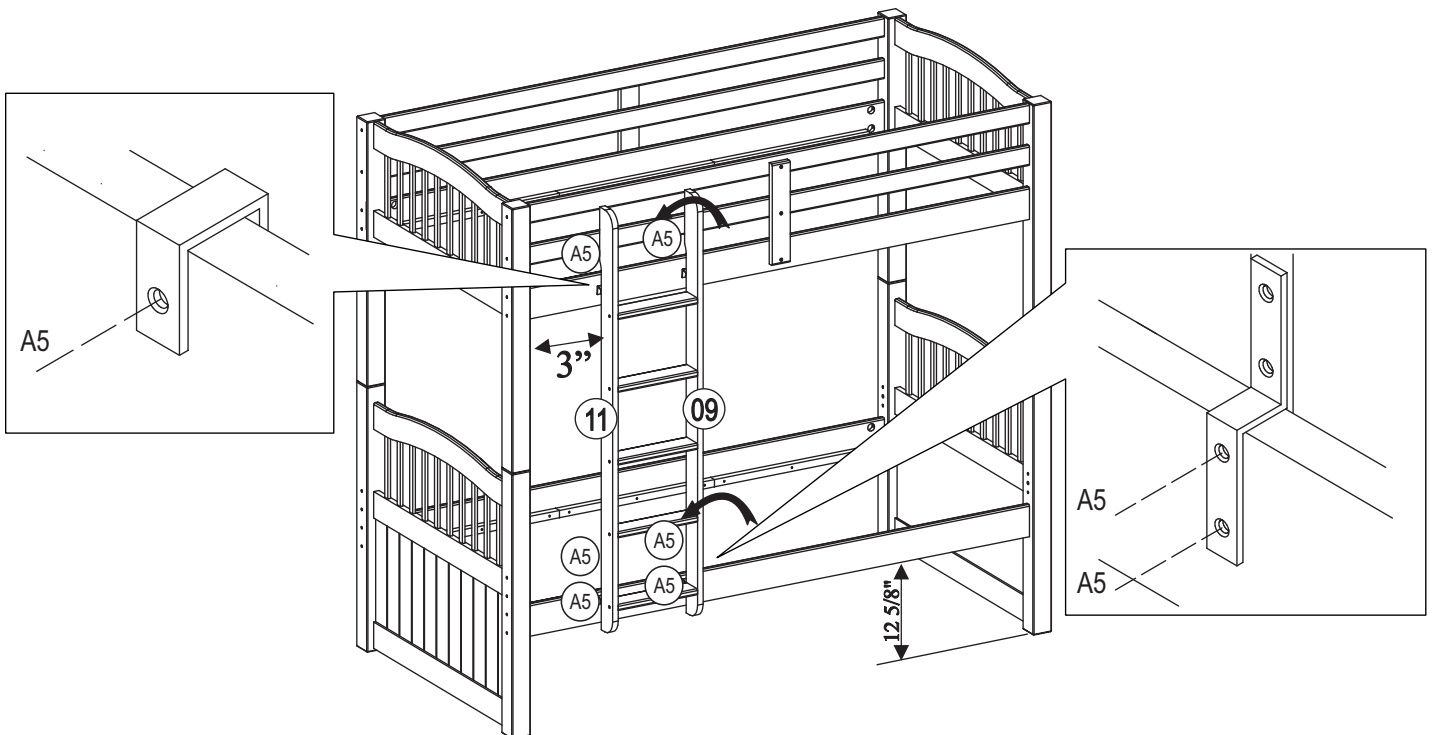


## 06) OPTION 01

Make sure the ladder is centered with the middle of the headboard



## 06) OPTION 02



**Important: the distance between the ladder and the closest post must be 3"**

A5 - 3,5 x 16 - 6x

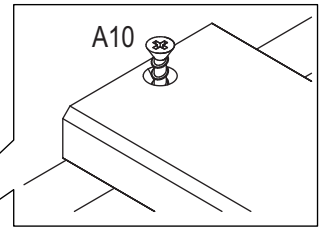
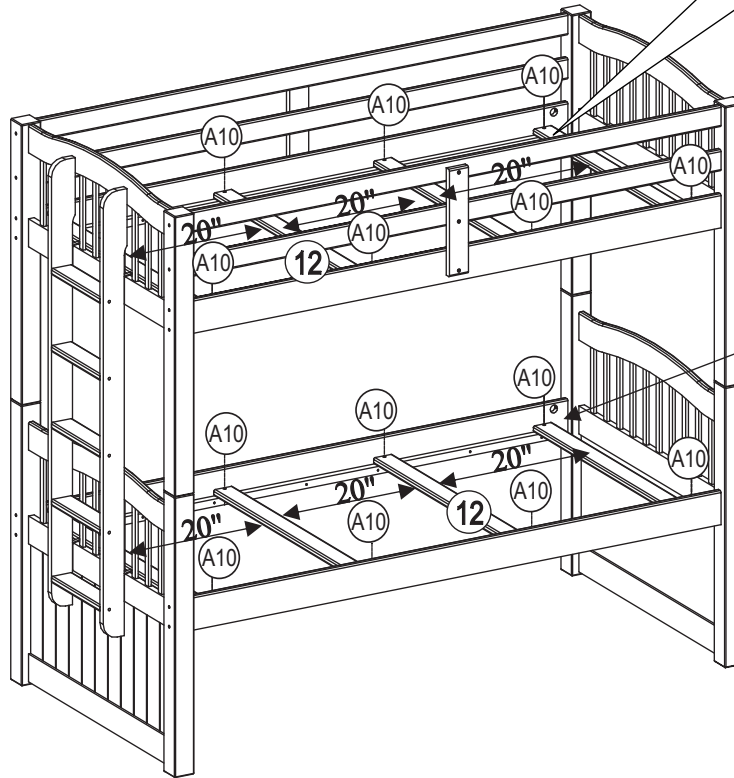




# 07) OPTION 01

**BASE SLATS CONFIGURATION  
BUNKIE BOARD OR FOUNDATION MUST BE USED**

A10 - 3,5 x 30 - 16x



Distance between slat and bed end must be 3"

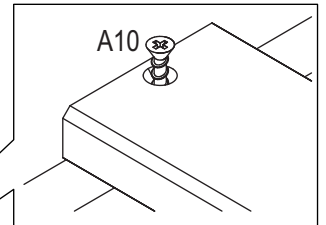
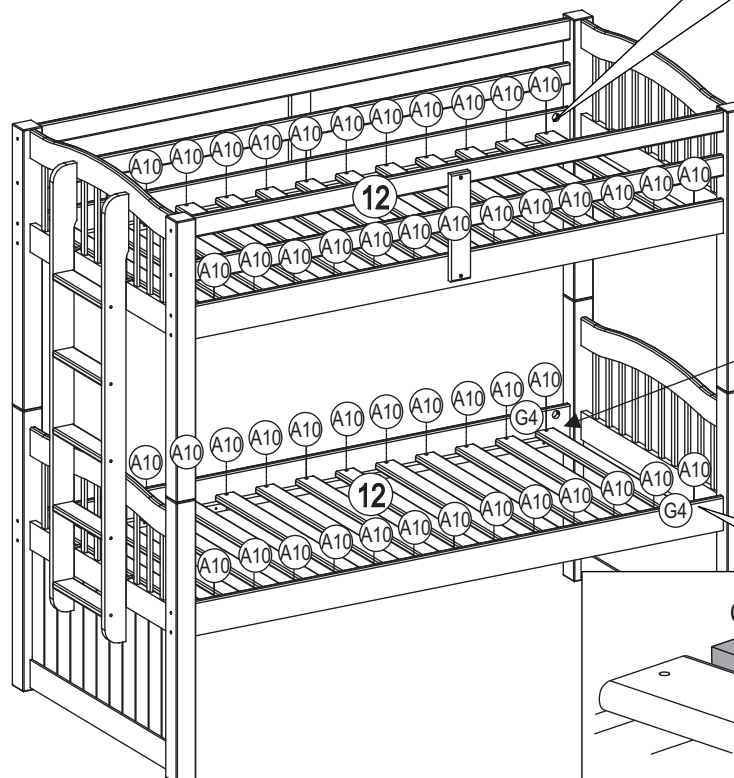
**OR**

**FULL SLATS CONFIGURATION  
ADDITIONAL SET OF 18 SLATS IS REQUIRED  
TO PERFORM THIS STEP  
BUNKIE BOARDS OR FOUNDATIONS ARE NOT  
REQUIRED FOR FULLY SLATED BUNK BEDS.**

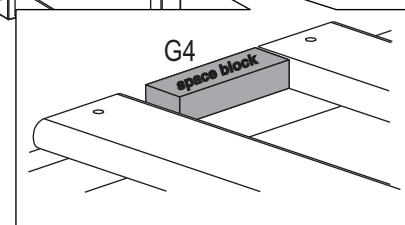
A10 - 3,5 x 30 - 52x



G4 - 2x



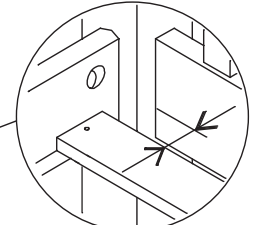
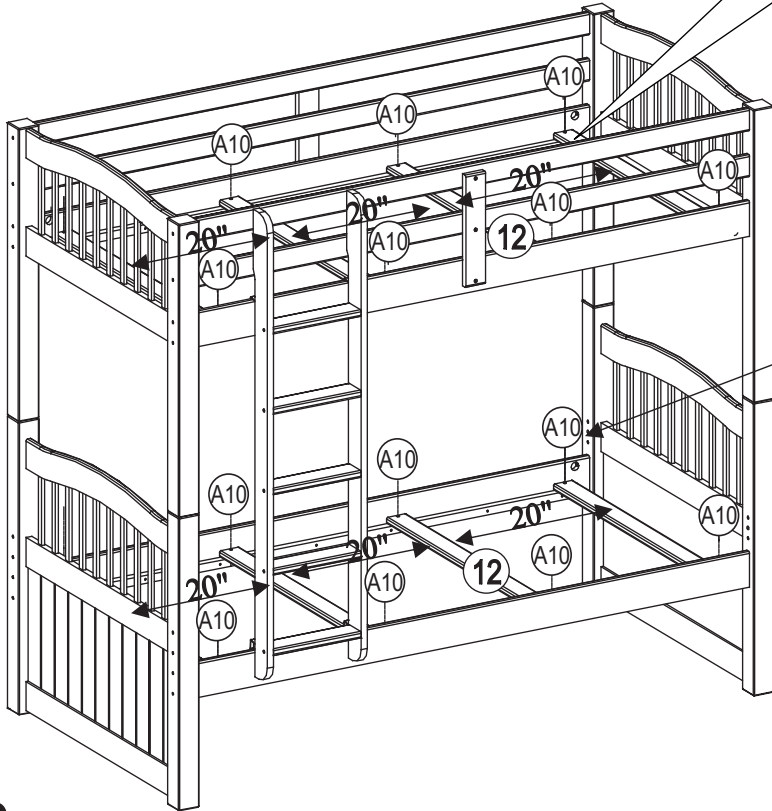
Distance between slat and bed end must be 3"



**TIGHTEN  
WELL ALL  
SCREWS.**

# 07) OPTION 02

**BASE SLATS CONFIGURATION  
BUNKIE BOARD OR FOUNDATION MUST BE USED**



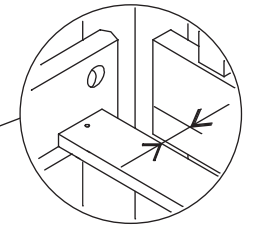
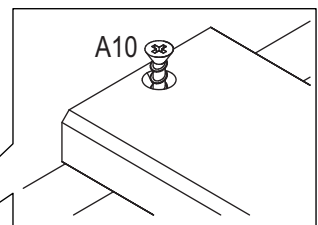
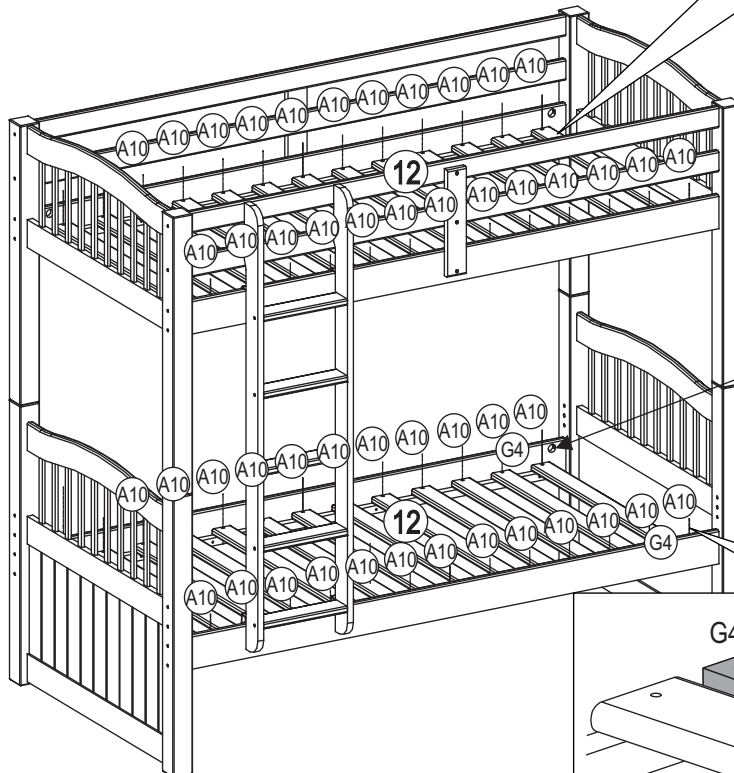
Distance between slat and bed end must be 3"

A10 - 3,5 x 30 - 16x



**OR**

**FULL SLATS CONFIGURATION  
ADDITIONAL SET OF 18 SLATS IS REQUIRED  
TO PERFORM THIS STEP  
BUNKIE BOARDS OR FOUNDATIONS ARE NOT  
REQUIRED FOR FULLY SLATED BUNK BEDS.**



Distance between slat and bed end must be 3"

A10 - 3,5 x 30 - 52x



G4 - 2x

